

# GOLF'S NEW RULES: GREEN-READING MATERIALS

4 steps to see how and when a yardage or green book may be used

## 1 Will the book be used to help read the line of play on the putting green when either...

▶ playing from on the putting green

OR

▶ using a putter from anywhere else on the course?



**NO**

There are no limitations and the steps below do not matter.

For example, the book will be used only to determine where to hit a drive or an approach shot into a putting green.



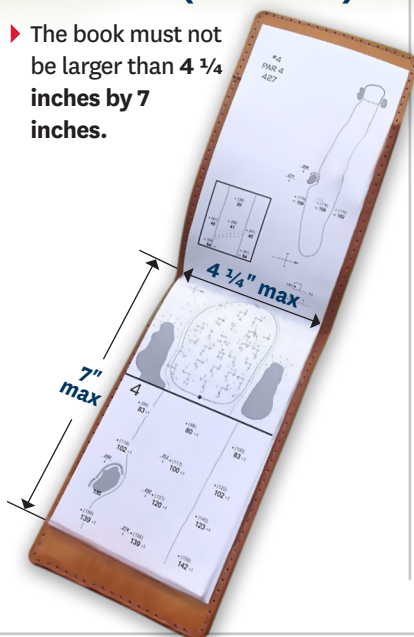
**YES**

The book will be used to read the line of play on the putting green.

Use the next 3 steps to see if it is allowed.

## 2 SIZE LIMIT (4 1/4" X 7")

▶ The book must not be larger than **4 1/4 inches by 7 inches**.



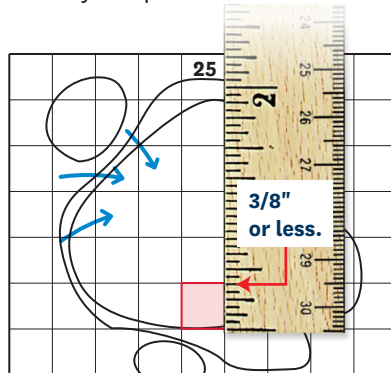
## 3 SCALE LIMIT (1:480)

▶ Any printed image of a putting green in the book must not be larger than the scale limit.

### HOW TO CHECK:

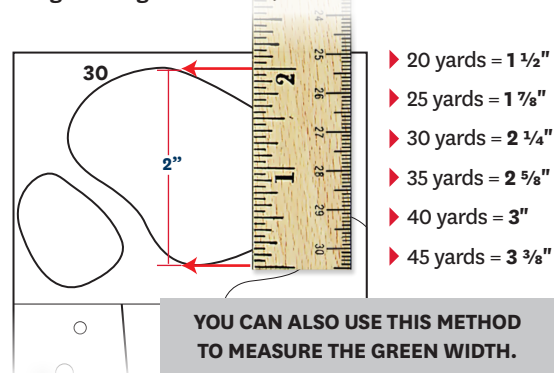
#### 5 Yard Grid Method

Many books use green images that have 5-yard grids. To meet the scale limit, each 5-yard square must be **3/8" or less**.



#### Green Depth Measure Method

If the book does not have 5-yard grids, measure the green depth using any of the examples below. If it is **at the given length or shorter**, it is within the scale limit.



YOU CAN ALSO USE THIS METHOD TO MEASURE THE GREEN WIDTH.

## 4 HANDWRITTEN NOTES

HANDWRITTEN NOTES MUST ONLY BE:

Made by the player using it, or by any of the following:

- ▶ the player's caddie
- ▶ the partner or partner's caddie
- ▶ the advice giver (in team competitions)

AND

▶ on a piece of paper that meets the **SIZE LIMIT** (see step 2).



If the answer to Step 1 is **YES** and a player uses materials to read the line of play on the putting green that do not satisfy Steps 2, 3 or 4, the player is in **breach of Rule 4.3a**.

These steps can also be used to determine how materials may be accessed on an electronic device (such as a smartphone). For more information, including frequently asked questions on the use of green-reading materials, visit [WWW.USGA.ORG/GRM](http://WWW.USGA.ORG/GRM)

